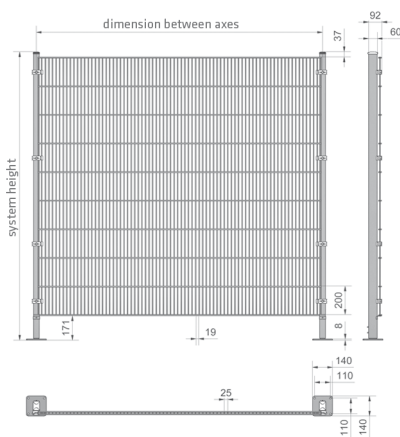


**MEDIUM LINE | Mesh and Posts**

Safety distance from source of hazard

□ 120 mm



Effective length of element  
500|1000|1500|2000|2500 mm

**Standard post**

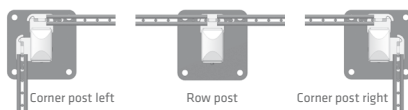
consisting of rectangular steel pipes with plastic caps, plastic clamping element with steel screw, preassembled plastic holding elements, as well as height adjustable base plates

**Mesh elements**

2 horizontal wires (6 mm) with inside lying vertical wires (6 mm), spot-welded

**Mesh size**

distance of the horizontal wires 190 mm, standard distances of the vertical wires 19 mm That amounts to a mesh size of 19 x 190 mm



2 horizontal wires (6 mm) with inside lying vertical wires (6 mm), spot-welded



Height-adjustable base plate, mounted on the post ex factory

**System height 2000 mm**

Order no.	Colour group 2	Colour group 3	Colour group 4	Mesh elements/Posts in mm W x H
	RAL	RAL	RAL	
M18005019	2-7035	3-xxxx	4-xxxx	500 x 1800 mm
M18010019	2-7035	3-xxxx	4-xxxx	1000 x 1800 mm
M18015019	2-7035	3-xxxx	4-xxxx	1500 x 1800 mm
M18020019	2-7035	3-xxxx	4-xxxx	2000 x 1800 mm
M18025019	2-7035	3-xxxx	4-xxxx	2500 x 1800 mm
Row post RP2000	2-7035	3-xxxx	4-xxxx	60/40/2000 mm
Corner post L EPL2000	2-7035	3-xxxx	4-xxxx	60/40/2000 mm
Corner post R EPR2000	2-7035	3-xxxx	4-xxxx	60/40/2000 mm

**System height 2400 mm**

Order no.	Colour group 2	Colour group 3	Colour group 4	Mesh elements/Posts in mm W x H
	RAL	RAL	RAL	
M22005019	2-7035	3-xxxx	4-xxxx	500 x 2200 mm
M22010019	2-7035	3-xxxx	4-xxxx	1000 x 2200 mm
M22015019	2-7035	3-xxxx	4-xxxx	1500 x 2200 mm
M22020019	2-7035	3-xxxx	4-xxxx	2000 x 2200 mm
M22025019	2-7035	3-xxxx	4-xxxx	2500 x 2200 mm
Row post RP2400	2-7035	3-xxxx	4-xxxx	60/40/2400 mm
Corner post L EPL2400	2-7035	3-xxxx	4-xxxx	60/40/2400 mm
Corner post R EPR2400	2-7035	3-xxxx	4-xxxx	60/40/2400 mm

**Example for the correct method of ordering**

Order no. **M18005019** + Colour group **2** + RAL colour no. **7035** = Complete order no **M18005019-2-7035**

Specifications are subject to technical changes without notice  
Other widths and heights are available upon request: Phone: 0049 - (0) 5223-79 19 95 - 0 | Fax: 0049 - (0) 5223-79 19 95 - 90

Safety distance from source of hazard  
120 mm

Revolving door height 2000/2400 mm (frame 1800/2200 mm)

All doors with QR 40 lateral frame

Door cross brace as upper closure

Locking via latch & deadbolt lock with profile cylinder

Aluminium handle fitting (consisting of 2 turnable handles)

Finger safeguard optional, see accessories

The doors are also preassembled ex factory, see surcharge

Doors are identical in construction to the HIGH LINE programme

Opening direction from outside

DIN left

DIN right

**System height 2000 mm | DIN left**

Order no.	Colour group 2 RAL	Colour group 3 RAL	Colour group 4 RAL	Door in mm W x H
TL18008019	2-7035	3-xxxx	4-xxxx	800 x 2000 mm
TL18010019	2-7035	3-xxxx	4-xxxx	1000 x 2000 mm
TL18014019	2-7035	3-xxxx	4-xxxx	1400 x 2000 mm

**System height 2000 mm | DIN right**

Order no.	Colour group 2 RAL	Colour group 3 RAL	Colour group 4 RAL	Door in mm W x H
TR18008019	2-7035	3-xxxx	4-xxxx	800 x 2000 mm
TR18010019	2-7035	3-xxxx	4-xxxx	1000 x 2000 mm
TR18014019	2-7035	3-xxxx	4-xxxx	1400 x 2000 mm

**System height 2400 mm | DIN left**

Order no.	Colour group 2 RAL	Colour group 3 RAL	Colour group 4 RAL	Door in mm W x H
TL22008019	2-7035	3-xxxx	4-xxxx	800 x 2400 mm
TL22010019	2-7035	3-xxxx	4-xxxx	1000 x 2400 mm
TL22014019	2-7035	3-xxxx	4-xxxx	1400 x 2400 mm

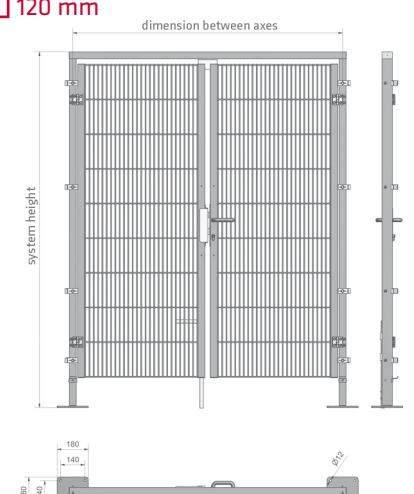

**System height 2400 mm | DIN right**

Order no.	Colour group 2 RAL	Colour group 3 RAL	Colour group 4 RAL	Door in mm W x H
TR22008019	2-7035	3-xxxx	4-xxxx	800 x 2400 mm
TR22010019	2-7035	3-xxxx	4-xxxx	1000 x 2400 mm
TR22014019	2-7035	3-xxxx	4-xxxx	1400 x 2400 mm

**Example for the correct method of ordering**

Order no. **TL18008019** + Colour group **2** + RAL colour no. **7035** = Complete Order no **TL18008019-2-7035**

## MEDIUM LINE | 2 leaf revolving door

<p>Safety distance from source of hazard</p> <p><b>120 mm</b></p> 	<p>Revolving door height: 2000/2400 mm (frame 1800/2200 mm)</p> <p>All doors with QR 40 lateral frame</p> <p>Door cross brace as upper closure</p> <p>Locking via latch &amp; deadbolt lock with profile cylinder</p> <p>Aluminium handle fitting (consisting of 2 turnable handles)</p> <p>Central locking with the aid of a floor level arrestor</p> <p>Finger safeguard optional, see accessories</p> <p>The doors are also preassembled ex factory, see surcharge</p> <p>Doors are identical in construction to the HIGH LINE programme</p>	<p>Opening direction from outside</p> 
---	---	---

### System height 2000 mm | Lock door right / Blind door left

Order no.	Colour group 2 RAL	Colour group 3 RAL	Colour group 4 RAL	Door in mm W x H
DT18015019	2-7035	3-xxxx	4-xxxx	1500 x 2000 mm
DT18019019	2-7035	3-xxxx	4-xxxx	1900 x 2000 mm
DT18027019	2-7035	3-xxxx	4-xxxx	2700 x 2000 mm

### System height 2400 mm | Lock door right / Blind door left

Order no.	Colour group 2 RAL	Colour group 3 RAL	Colour group 4 RAL	Door in mm W x H
DT22015019	2-7035	3-xxxx	4-xxxx	1500 x 2400 mm
DT22019019	2-7035	3-xxxx	4-xxxx	1900 x 2400 mm
DT22027019	2-7035	3-xxxx	4-xxxx	2700 x 2400 mm

#### Example for the correct method of ordering

Order no. **DT18015019** + Colour group 2 + RAL colour no. **7035** = Complete order no **DT18015019-2-7035**

Specifications are subject to technical changes without notice

Other widths and heights are available upon request: Phone: 0049 - (0) 5223-79 19 95 -0 | Fax: 0049 - (0) 5223-79 19 95 - 90

<p>Safety distance from source of hazard  <span style="border: 1px solid red; padding: 2px;">120 mm</span></p>	<p>Sliding door height 2000/2400 mm (frame 1800/2200 mm)</p> <p>Door width = axial dimension              Axial dimension minus 200 mm = door clearance</p> <p>All doors with QR 40 lateral frame</p> <p>Locking via latch &amp; deadbolt lock with profile cylinder              Aluminium handle fitting (consisting of 2 turnable handles)</p> <p>Finger safeguard optional, see accessories</p> <p>The doors are also preassembled ex factory, see surcharge</p> <p style="color: red;">Doors are identical in construction to the HIGH LINE programme</p>	<p>Opening direction from outside</p> <p>DIN left</p> <p>DIN right</p>
--	--	--

**System height 2000 mm | DIN left**

Order no.	Colour group 2 RAL	Colour group 3 RAL	Colour group 4 RAL	Door in mm W x H
STL18010019	2-7035	3-xxxx	4-xxxx	1000 x 2000 mm
STL18014019	2-7035	3-xxxx	4-xxxx	1400 x 2000 mm

**System height 2000 mm | DIN right**

Order no.	Colour group 2 RAL	Colour group 3 RAL	Colour group 4 RAL	Door in mm W x H
STR18010019	2-7035	3-xxxx	4-xxxx	1000 x 2000 mm
STR18014019	2-7035	3-xxxx	4-xxxx	1400 x 2000 mm

**System height 2400 mm | DIN left**

Order no.	Colour group 2 RAL	Colour group 3 RAL	Colour group 4 RAL	Door in mm W x H
STL22010019	2-7035	3-xxxx	4-xxxx	1000 x 2400 mm
STL22014019	2-7035	3-xxxx	4-xxxx	1400 x 2400 mm

**System height 2400 mm | DIN right**

Order no.	Colour group 2 RAL	Colour group 3 RAL	Colour group 4 RAL	Door in mm W x H
STR22010019	2-7035	3-xxxx	4-xxxx	1000 x 2400 mm
STR22014019	2-7035	3-xxxx	4-xxxx	1400 x 2400 mm

**Example for the correct method of ordering**

Order no. **STL18010019** + Colour group 2 + RAL colour no. **7035** = Complete Order no **STL18010019-2-7035**