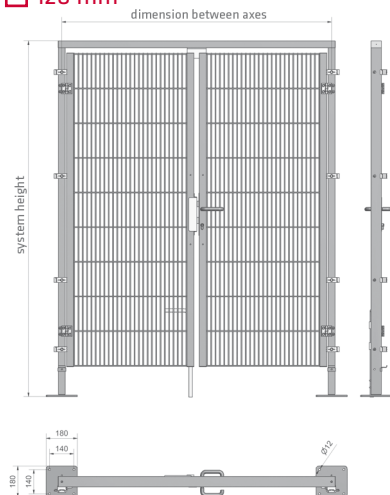



HIGH LINE | 2 leaf revolving door

<p>Safety distance from source of hazard □ 120 mm</p> 	<p>Revolving door height 2000/2400 mm (frame 1800/2200 mm)</p> <p>All doors with QR 40 lateral frame</p> <p>Door cross brace as upper closure</p> <p>Locking via latch & deadbolt lock with profile cylinder</p> <p>Aluminium handle fitting (consisting of 2 turnable handles)</p> <p>Central locking with the aid of a floor level arrestor</p> <p>Finger safeguard optional, see accessories</p> <p>The doors are also preassembled ex factory, see surcharge</p> <p style="color: red;">Doors are identical in construction to the MEDIUM LINE programme</p>	<p>Opening direction from outside</p> 
---	--	---

System height 2000 mm | Lock door right / Blind door left

Order no.	Colour group 2 RAL	Colour group 3 RAL	Colour group 4 RAL	Door in mm W x H
DT18015019	2-7035	3-xxxx	4-xxxx	1500 x 2000 mm
DT18019019	2-7035	3-xxxx	4-xxxx	1900 x 2000 mm
DT18027019	2-7035	3-xxxx	4-xxxx	2700 x 2000 mm

System height 2400 mm | Lock door right / Blind door left

Order no.	Colour group 2 RAL	Colour group 3 RAL	Colour group 4 RAL	Door in mm W x H
DT22015019	2-7035	3-xxxx	4-xxxx	1500 x 2400 mm
DT22019019	2-7035	3-xxxx	4-xxxx	1900 x 2400 mm
DT22027019	2-7035	3-xxxx	4-xxxx	2700 x 2400 mm

Example for the correct method of ordering:

Order no. **DT18015019** + Colour group 2 + RAL colour no. **7035** = Complete order no **DT18015019-2-7035**

Specifications are subject to technical changes without notice

Other widths and heights are available upon request: Phone: 0049 - (0) 5223-79 19 95 - 0 | Fax: 0049 - (0) 5223-79 19 95 - 90